

# DOMOPARK

## ELECTROMECHANICAL PARKING SAVER

Automatic parking saver with inbuilt control unit. Ideal to preserve your own parking space against un authorized use.

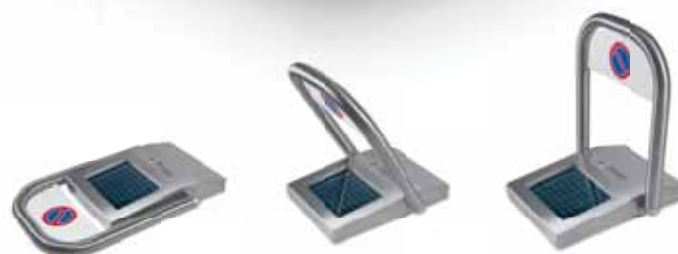
The stainless steel structure makes it virtually indestructible. In case the curved arm is hit by a vehicle, the spring system inside prevents damage and brings the arm back into position.

**Safe and precise** thanks to the encoder control, it is also simple and easy to install. After fixing it to the ground it does not require any setting. The control unit is pre-programmed.

**Practical**, it can be installed anywhere. The in-built photovoltaic panel makes it suitable for use in any condition.



NOIRE 2E



### DOMOPARK E

Automatic parking saver with inbuilt solar panel. It is completely independent from the mains power supply. Works up to 4 months in total absence of light.

### DOMOPARK 230E

Automatic parking saver with battery and transformer for 230 V mains power supply. Works up to 4 months in total absence of power supply.

#### TECHNICAL SPECIFICATIONS

	DOMOPARKE	DOMOPARK 230E
Motor power supply	12 V	12 V
Max. motor current	3 A	3 A
Motor power	40 W	40 W
Opening time	8 sec	8 sec
Encoder	YES	YES
Grease lubricant	TS10	TS10

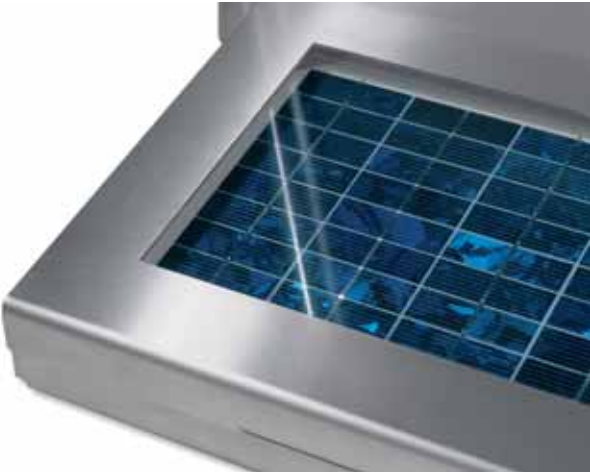
#### TECHNICAL SPECIFICATIONS BUILT IN CONTROL UNIT

	D112	D112
Model	D112	D112
Power supply	12 V	12 V
Max. current	3 A	3 A

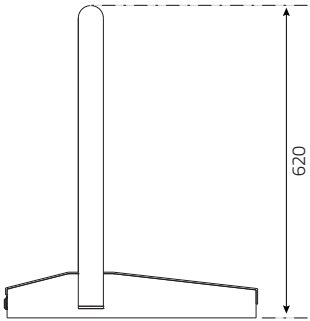
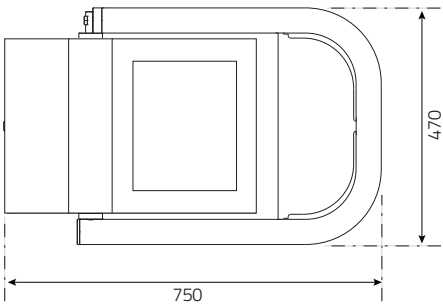
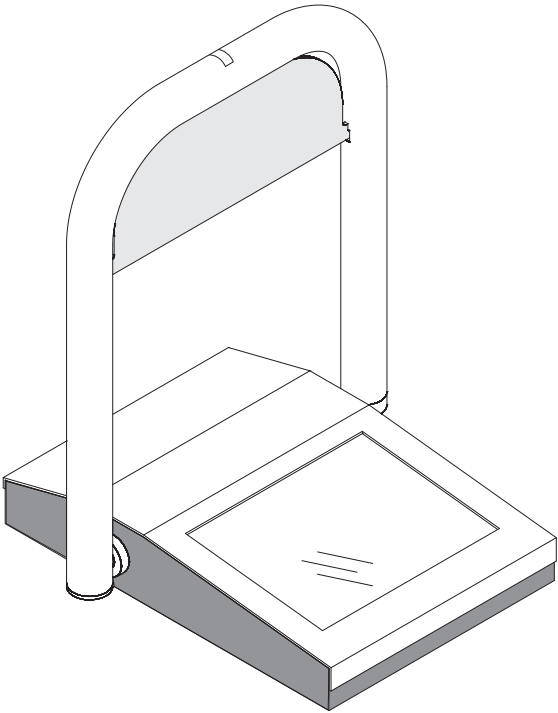
#### GENERAL DATA

	D112	D112
Photovoltaic panel power	5 W	-
Battery charger to 230 V	NO	included
Working temperature	-20 +55 °C	-20 +55 °C
Protection level	IP 54	IP 54
Weight	19 Kg	18,5 Kg
Pallet	12 pcs	12 pcs

# DOMOPARK



## DIMENSIONS



Dimensions in mm

AUTOMATIC BARRIERS